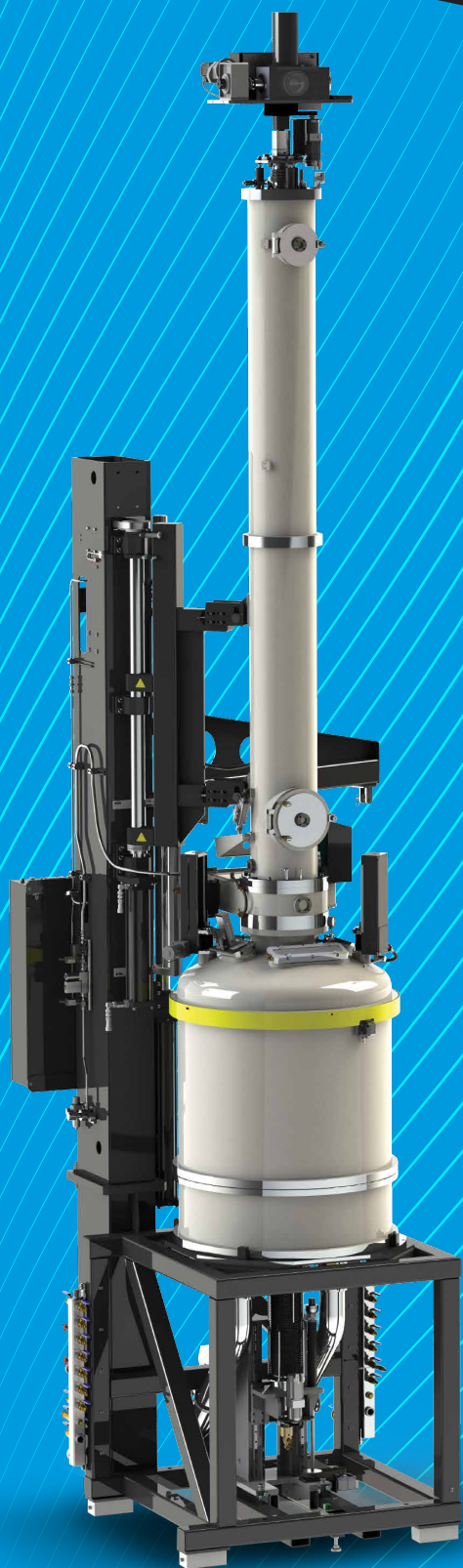


Linton



KX380PV

Solar Crystal Growing Furnace

- Optimized For Large Ingot Growth
- Advanced Control System
- Low Power Consumption
- Integrated Communications with optional WINGS system
- Complete Customization Available



KX380PV

Solar Crystal Growing Furnace

The KX380PV has the largest furnace chamber, 1600 mm in diameter, capable of accommodating 36-inch crucibles and beyond (charge sizes of 850kg and above). It has a 400mm throat size and its tall receiving chamber (5500mm) can pull five-meter crystals; the size can be adapted to customer specifications for M10 or G12 wafers. Additionally, the large charge size allows for high conversion yield of silicon for good economical operation, while also increasing throughput and reducing operational costs.

PERFORMANCE

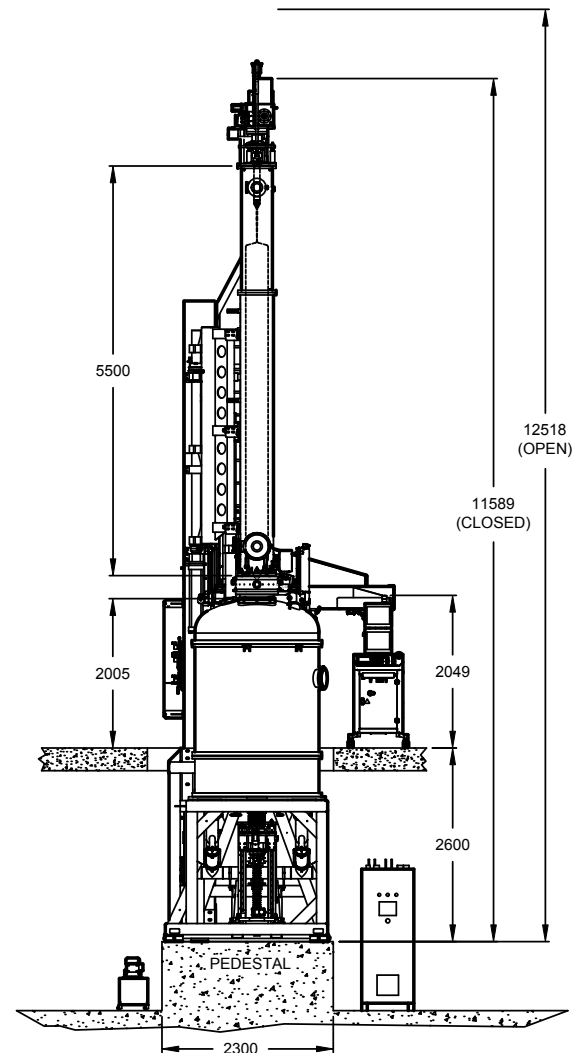
Furnace Chamber Diameter	1600 mm (62.9 in)
Receiving Chamber Height	5500 mm (216.5 in) nominal
Throat Diameter	400 mm (15.7 in)
Seed Lift Rate	0-600 mm/hr
Seed Jog Speed (Nominal)	500 mm/min
Seed Rotation (Reversible)	0-20 rpm
Total Crucible Travel	800mm (33.5 in)
Crucible Lift Rate	0-127 mm/hr
Crucible Jog Speed (Nominal)	100 mm/min
Crucible Rotation (Reversible)	0-20 rpm

SILICON CHARGE CAPACITY

CRUCIBLE DIAMETER	CHARGE SIZE
32.0 in	up to 440 kg
36.0 in	up to 850 kg

OPTIONS & ACCESSORIES

Cooling Tube or Shield	Ingots & Crucible Handling
Feeders	Vacuum Pumps
Hot Zones	Handling tools
Filters	Maintenance Tools



Dimensions shown are typical and can be customized to meet customer requirements